

# Custom Vanity Tops Order Form

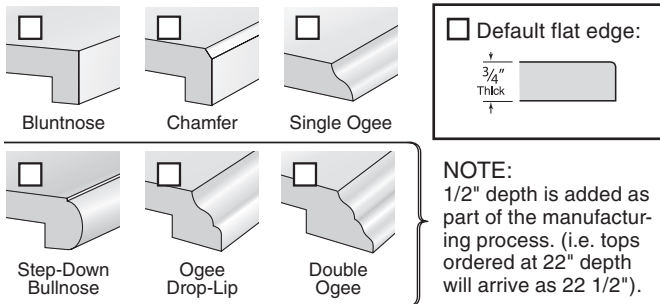
FAX or Mail All Orders to US Marble: Fax: 989-561-2997  
7839 Costabella Ave., Remus, MI 49340 • Ph: 989-561-2293



## 1. Choose Size & Bowl

- |   |  |  |
|---|--|--|
| <b>22" Depth:</b>                       | <b>19" Depth:</b>                        | <b>17" Depth:</b>                        |
| <input type="checkbox"/> N - Oval       | <input type="checkbox"/> SL - Oval       | <input type="checkbox"/> R - Rectangle   |
| <input type="checkbox"/> RL - Royale    | <input type="checkbox"/> LRL - Royale    | <input type="checkbox"/> BAR - Bar Sink  |
| <input type="checkbox"/> T - Flush Oval | <input type="checkbox"/> ST - Flush Oval | <input type="checkbox"/> YC - Flush Oval |
| <input type="checkbox"/> NS - Shell     | <input type="checkbox"/> LNS - Shell     |  |
| <input type="checkbox"/> O - Olympus    | <input type="checkbox"/> LO - Olympus    |  |
| <input type="checkbox"/> D - Diamond    | <input type="checkbox"/> LD - Diamond    |  |
| <input type="checkbox"/> V - Ventura    | <input type="checkbox"/> LV - Ventura    |  |
| <input type="checkbox"/> W - Wave       | <input type="checkbox"/> LW - Wave       |  |
- Porcelain Undermount:**
- Large Oval (22" Depth)  
 Small Oval (19" Depth)  
 Rectangle (22" Depth)

## 2. Choose Edge Style



## 3. Choose Finish Edges Front Left Right

## 4. Choose Custom Options

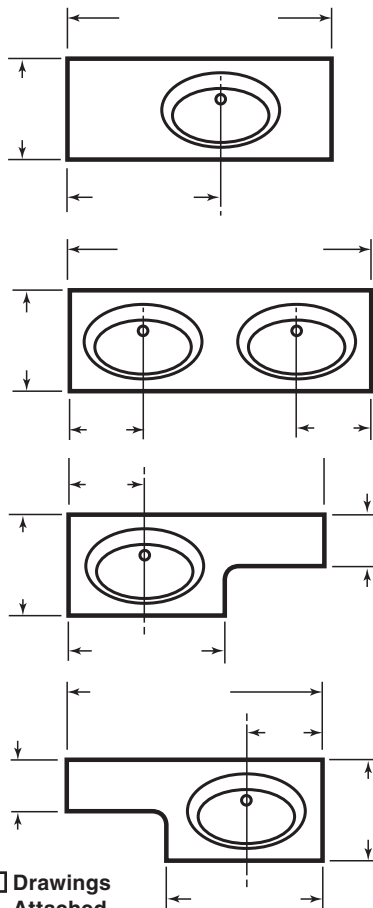
- Overflow  No Backsplash
- Integral Backsplash, Non-Std. Depth: \_\_\_\_\_
- Loose Backsplash, Height: \_\_\_\_\_ Lgth: \_\_\_\_\_
- Thick Edge Undermount (req. min 1.5" design edge)
- Solid-Color Bowl, Color: \_\_\_\_\_
- Faucet Options: (4" Centerset Default)
- None  Single  8" Centerset
- Other: \_\_\_\_\_
- Extra Hole (provide location dimensions)
- Side Splash:  None  Left  Right
- Trim Tabs:  Both Ends  Left  Right
- Other Options: \_\_\_\_\_

## 5. Finish & Color

- Finish:  Gloss (default)  Matte
- Color: Number: \_\_\_\_\_
- Name: \_\_\_\_\_

## 6. Dimensions

Indicate the applicable dimensions in the spaces below.



- Drawings Attached
- Other Custom Shape (see page 4): \_\_\_\_\_

## 7. Price Your Top

- Top Base Price ..... \$ \_\_\_\_\_
- Extra Bowl(s) (Each) ..... \$ \_\_\_\_\_
- Side Splash (Each) ..... \$ \_\_\_\_\_
- No Bowl/No Drill Vanity Top ..... \$ ( \_\_\_\_\_ )
- Subtotal:**..... \$ \_\_\_\_\_
- Matte Finish (Add % to Subtotal) ..... \$ \_\_\_\_\_
- Bowl Cutout (QTY:\_\_\_\_) ..... \$ \_\_\_\_\_  
(For Customer-Supplied Vessel, Undermount, or Drop-In Bowls)
- Porcelain Undermt Bowl (QTY:\_\_\_\_) ..... \$ \_\_\_\_\_  
(US Marble-Supplied Undermount Bowls)
- Thick Edge Undermount (QTY:\_\_\_\_)..... \$ \_\_\_\_\_
- Designer Edge ..... \$ \_\_\_\_\_
- Cutback/Custom Shape ..... \$ \_\_\_\_\_
- Backsplash Option ..... \$ \_\_\_\_\_
- Solid Color Bowl (QTY:\_\_\_\_) ..... \$ \_\_\_\_\_
- Overflow (QTY:\_\_\_\_) ..... \$ \_\_\_\_\_
- Extra Faucet Hole (QTY:\_\_\_\_)..... \$ \_\_\_\_\_
- Color-Coordinated Caulk (QTY:\_\_\_\_) ..... \$ \_\_\_\_\_
- TOTAL PRICE**..... \$ \_\_\_\_\_

- Purchase Order # \_\_\_\_\_ Quote Only?  Yes  No
- Dealer Name \_\_\_\_\_
- Store Number \_\_\_\_\_
- City & State \_\_\_\_\_
- Order Placed by \_\_\_\_\_
- Customer Name \_\_\_\_\_

Like natural marble, onyx, etc., there are variations in shade and veining. As with all manufacturers, there may be some variation from the sample you see to the final product. Samples may be too small to represent the full veining pattern. Each item is a unique product which is individually yours.